

# AluNova Inspection Door

with 12,5mm, 15mm or 2 x 12,5mm impregnated plasterboard inlay  
for ceiling and wall mounting in drywall construction



**Tested Product:**  
Sound insulation values:  
Rw = 30 dB (12.5mm) Rw = 33 dB (2x12.5mm)  
(for size 600x600)

## Product Advantages

- Impregnated gypsum plasterboard inlays suitable for humid areas
- Security snap locks self-adjusting (from size 200x200)
- All-round lip seal protects against dust and draughts

## Product Description

The AluNova inspection door is intended for installation in walls and ceilings in drywall construction. The screwed down gypsum plasterboard inlay is impregnated and is, therefore, also suitable for humid areas. The door cover is secured on both sides by means of self-adjusting security snap locks. The security snap locks ensure the retention of the door cover on every opening. Opening and closing takes place by pressing on the door cover and the two hidden snap locks.

## Scope of Supply

- ✓ Inspection door
- ✓ Installation kit protective caps for screws
- ✓ Installation instructions

## Installation and Fixing

Simple fitting of the mounting frame in the structure opening. This must be made approx. 5mm larger than the installation dimensions of the inspection door. For wall mounting, the locks must be arranged at the top. The fixing takes place from the front through the panelling and the mounting frame using customer-supplied drywall screws. Fit the protective caps to the rear of the screw tips. Fill the joints and fit and close the door cover. Please always observe the installation instructions supplied!

## Filling and Painting Work

Fill the joint between the mounting frame and structure opening. Separately fill and dry the door cover. Then separately coat and dry it again before fitting. Completely remove any filler and paint residues. All the metallic surfaces and seals must be clean. Then carry out a functional check by opening and closing several times.

## Cleaning and Maintenance

The components of the inspection door must be cleaned using conventional, mild cleaning agents or be cleaned dry. The door must always be properly closed. Check the function of the locks from time to time. The inspection door is maintenance-free.

## Special Models

- Intermediate sizes available in 50mm grid
- Available with a square lock
- Available with a cylinder lock
- Available in air and dust-tight design

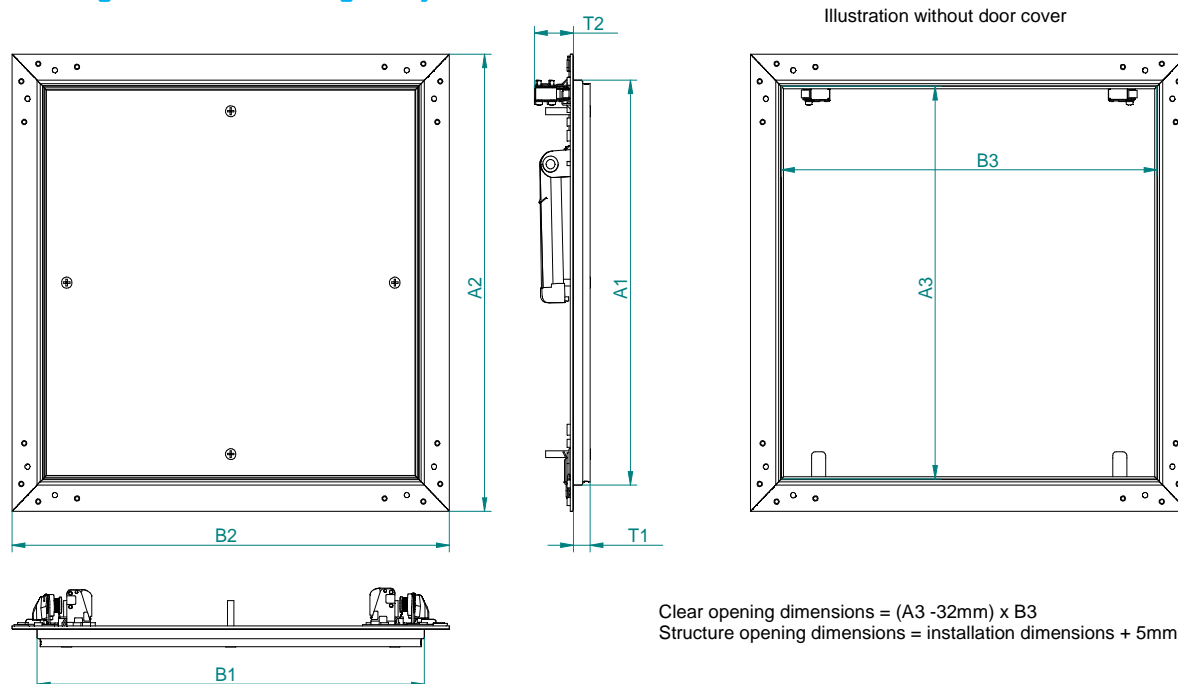
## Accessories

Article 22-212 RS Square Lock (for retrofitting)  
Article 22-216 Square Key



# AluNova Inspection Door

with 12,5mm, 15mm or 2 x 12,5mm impregnated plasterboard inlay  
for ceiling and wall mounting in drywall construction



Clear opening dimensions = (A3 - 32mm) x B3  
Structure opening dimensions = installation dimensions + 5mm

## Supply Range

### 12,5mm gypsum plasterboard inlay CE certified according to DIN EN 520: H2

Order No.	Size A x B (V)	Installation Dim. A1 x B1	Outside Dim. A2 x B2	Clearance Width A3 x B3	Depth / Width		Weight kg
					T1	T2	
22-044	150 x 150	151 x 151	190 x 190	142 x 142	13	31	0,5
22-045	200 x 200	201 x 201	240 x 240	192 x 192	13	31	0,7
22-046	200 x 300	201 x 301	240 x 340	192 x 292	13	31	0,9
22-047	300 x 300	301 x 301	340 x 340	292 x 292	13	31	1,2
22-048	300 x 400	301 x 401	340 x 440	292 x 392	13	31	1,6
22-049	300 x 600	301 x 601	340 x 640	292 x 592	13	31	2,2
22-050	400 x 400	401 x 401	440 x 440	392 x 392	13	31	2,2
22-051	400 x 600	401 x 601	440 x 640	392 x 592	13	31	2,7
22-052	500 x 500	501 x 501	540 x 540	492 x 492	13	31	2,8
22-053	600 x 600	601 x 601	640 x 640	592 x 592	13	31	3,8

### 15mm gypsum plasterboard inlay CE certified according to DIN EN 520: H2

Order No.	Size A x B (V)	Installation Dim. A1 x B1	Outside Dim. A2 x B2	Clearance Width A3 x B3	Depth / Width		Weight kg
					T1	T2	
22-065	200 x 200	201 x 201	240 x 240	192 x 192	15,5	31	0,9
22-066	300 x 300	301 x 301	340 x 340	292 x 292	15,5	31	1,7
22-067	400 x 400	401 x 401	440 x 440	392 x 392	15,5	31	2,7
22-068	500 x 500	501 x 501	540 x 540	492 x 492	15,5	31	4,0
22-069	600 x 600	601 x 601	640 x 640	592 x 592	15,5	31	5,6

### 2 x 12,5mm gypsum plasterboard inlay CE certified according to DIN EN 520: H2

Order No.	Size A x B (V)	Installation Dim. A1 x B1	Outside Dim. A2 x B2	Clearance Width A3 x B3	Depth / Width		Weight kg
					T1	T2	
22-074	150 x 150	151 x 151	190 x 190	142 x 142	25,5	31	0,7
22-075	200 x 200	201 x 201	240 x 240	192 x 192	25,5	31	1,2
22-077	300 x 300	301 x 301	340 x 340	292 x 292	25,5	31	2,1
22-078	300 x 400	301 x 401	340 x 440	292 x 392	25,5	31	2,7
22-079	400 x 400	401 x 401	440 x 440	392 x 392	25,5	31	4,0
22-080	400 x 600	401 x 601	440 x 640	392 x 592	25,5	31	5,1
22-081	500 x 500	501 x 501	540 x 540	492 x 492	25,5	31	5,2
22-082	600 x 600	601 x 601	640 x 640	592 x 592	25,5	31	7,2

All dimensions in mm, (V) = locking side