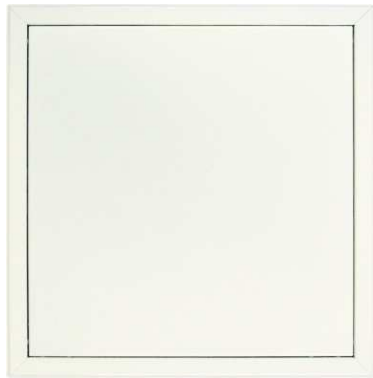


Softline Comfort Inspection Door

White-coated (RAL9016), zinc-plated steel for ceiling and wall installation



 Also available as:

Softline Comfort – air and dust-tight design with an all-round hollow section seal (EPDM)

Product Advantages

- Versatile useable in drywall and solid constructions
- Uniform appearance, hidden snap locks
- Tool and key-free operation
- Quick and simple installation by means of wall anchors, door panel removable

Product Description

In comparison with the Softline inspection door, the Softline Comfort inspection door from RUG SEMIN provides the additional convenience of tool and key-free operation. Opening and closing take place respectively through lightly pressing on the door panel, the snap locks, hidden from the front, open and close the inspection door. The steel components of the inspection door are zinc-plated and then powder coated in RAL9016, traffic white, in the factory. Thereby the inspection door has a double and very good corrosion protection. It can even be used in humid environments. The mounting frames for smaller sizes are manufactured in one piece, while larger sizes and special designs are produced in four parts and are spot-welded

Scope of Supply

- Inspection door
- Installation Instructions

Installation and Fixing

Simple fitting of the mounting frame in the structure opening (approx. 5-10mm greater than the installation dimensions of the inspection door) in walls or ceilings. Fixing from the side or the front (drywall construction) by means of fitted, rotatable and bendable wall anchors. The door panel can be manually removed before the installation. Please always observe the installation instructions supplied!

Filling, Spatula and Painting Work

Fill the joints between the door frame and the structure opening. After installation, completely remove any building material or paint residues from the inspection door. Metallic surfaces and seals must be clean. Then carry out a functional check by opening and closing the door several times.

Cleaning and Maintenance

The components of the inspection door must be cleaned using conventional, mild cleaning agents or be cleaned dry. The door must always be properly closed. From time to time, check the function of the locks. Where necessary, keep the seal supple using appropriate means. Otherwise the inspection door is maintenance-free.

Special Designs

- ✓ Other RAL colours available
- ✓ Other sizes possible on request

Softline Comfort Inspection Door

White-coated (RAL9016), zinc-plated steel for ceiling and wall installation

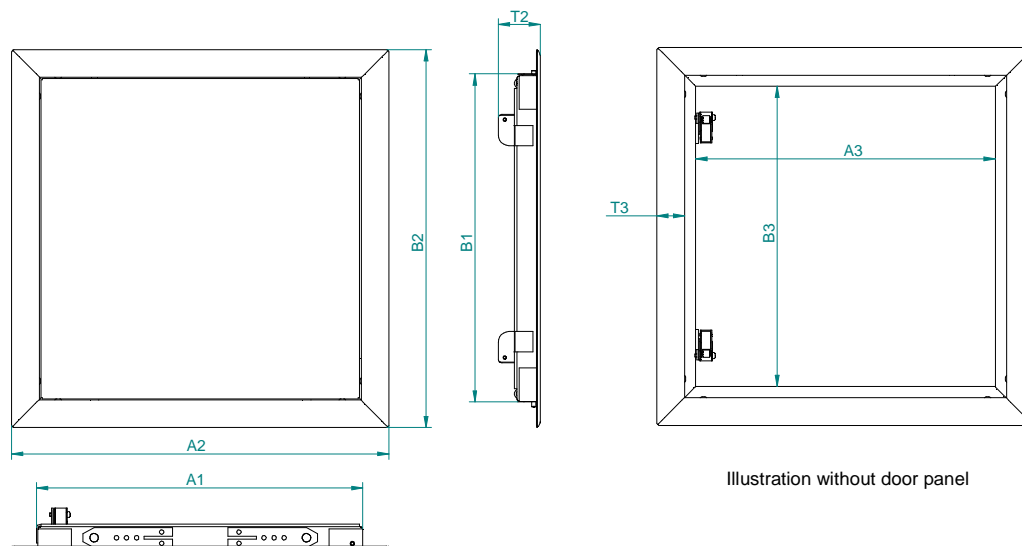


Illustration without door panel

Supply Range Softline Comfort

Softline Comfort Inspection Door – One-piece Frame

Order No.	Size		Installation Dimensions		Outside Dimensions		Clearance Width		Depth / Width		Weight kg
	A	x B (V)	A1	x B1	A2	x B2	A3	x B3	T2	T3	
22-770	150	x 150	150	x 150	185	x 185	145	x 145	38	20	0.38
22-772	200	x 200	200	x 200	235	x 235	195	x 195	38	20	0.58
22-774	250	x 250	250	x 250	285	x 285	245	x 245	38	20	0.78
22-776	300	x 300	300	x 300	335	x 335	295	x 295	38	20	1.00
22-778	400	x 400	400	x 400	435	x 435	395	x 395	38	20	1.55

Softline Comfort Inspection Door – Four-piece Frame

Order No.	Size		Installation Dimensions		Outside Dimensions		Clearance Width		Depth / Width		Weight kg
	A	x B (V)	A1	x B1	A2	x B2	A3	x B3	T2	T3	
22-780	500	x 500	494	x 494	538	x 538	468	x 468	38	25	2.67
22-782	600	x 600	594	x 594	638	x 638	568	x 568	38	25	3.54
22-784	800	x 800	794	x 794	838	x 838	768	x 768	38	25	5.70

Clear opening dimensions = A3 x (B3-32mm)

Structure opening dimensions = (A1+5mm) x (B1+5mm)

Supply Range Softline Comfort – Air and Dust-tight Design (EPDM Seal)

Softline Comfort Inspection Door – Air and Dust-tight

Order No.	Size		Installation Dimensions		Outside Dimensions		Clearance Width		Depth / Width		Weight kg
	A	x B (V)	A1	x B1	A2	x B2	A3	x B3	T2	T3	
22-785	200	x 200	194	x 194	238	x 238	168	x 168	38	25	0.80
22-786	300	x 300	294	x 294	338	x 338	268	x 268	38	25	1.20
22-787	400	x 400	394	x 394	438	x 438	368	x 368	38	25	1.80
22-788	500	x 500	494	x 494	538	x 538	468	x 468	38	25	2.90
22-789	600	x 600	594	x 594	638	x 638	568	x 568	38	25	4.00

Clear opening dimensions = (A3-15mm) x (B3-32mm)

Structure opening dimensions = (A1+5mm) x (B1+5mm)

All dimensions in mm, (V) = locking side