

AluHydro Inspection Door

With impregnated gypsum plasterboard inlay (12.5mm) and brush seal
For installation in walls and ceilings in drywall construction



Product Advantages

- Impregnated, screw head-free gypsum plasterboard inlay suitable for wet rooms
- All-round brush seal in the outer frame (dust-tight)
- Safety catch device with snap hooks
- Aluminium finish or powder-coated in white

Product Description

The RUG SEMIN AluHydro inspection door is intended for installation in walls and ceilings in drywall construction. The gypsum plasterboard inlay is impregnated and, therefore, is also suitable for wet rooms. The surface is filler-free and free of screw heads. In the outer frame there is an all-round brush seal that, with the door cover closed, prevents the passage of dust. The door cover is secured by means of a safety arrester cord fitted with snap hooks. Opening and closing takes place by pressure on the door cover and the two hidden snap locks. It is available in two surface finishes of the metal components: Aluminium finish and powder-coated in RAL 9003 (signal white).

Scope of Supply

- ✓ Inspection door
- ✓ Installation kit protective caps for screws
- ✓ Installation instructions

Installation and Fixing

Simple fitting of the mounting frame in the structure opening. This must be made approx. 5-10mm larger than the installation dimensions of the inspection door. For wall installation, the locks must always be arranged at the top. The fixing of the mounting frame takes place from the front through the panelling and the mounting frame using customer-supplied drywall screws. The protective caps are pushed on to the rear of the screw tips. Fill the joints and fit and close the door cover. Please always observe the installation instructions supplied!

Filling and Painting Work

Fill the joint between the mounting frame and structure opening. As required, separately fill and allow the door cover to dry. Then, if required, coat it and allow it to dry again before fitting. Completely remove any filler and paint residues. All the metallic surfaces must be clean. Then carry out a functional check by repeated opening and closing.

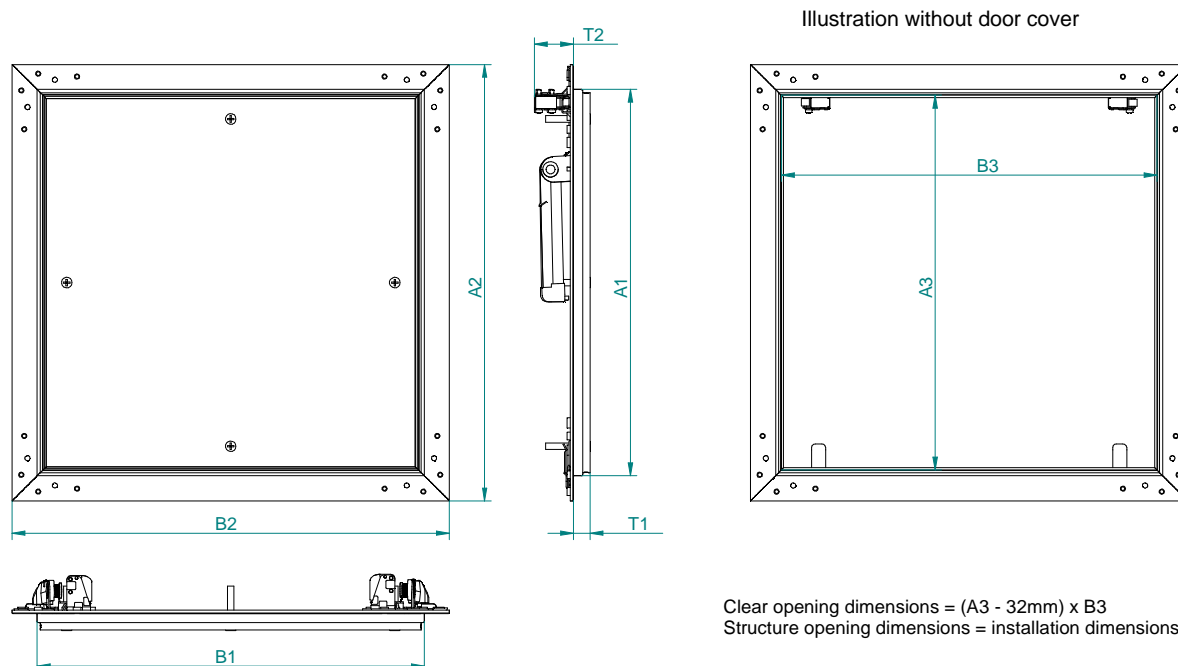
Cleaning and Maintenance

The components of the inspection door must be cleaned using conventional, mild cleaning agents or be cleaned dry. The door must always be properly closed. Before closing, the arrester cord must be secured to the mounting frame using the snap hooks. From time to time check the function of the locks. The inspection door is maintenance-free.



AluHydro Inspection Door

With impregnated gypsum plasterboard inlay (12.5mm) and brush seal
For installation in walls and ceilings in drywall construction



Clear opening dimensions = (A3 - 32mm) x B3
Structure opening dimensions = installation dimensions + (5-10mm)

Supply Range

Aluminium - 12,5mm gypsum plasterboard inlay CE certified according to DIN EN 520: H2

Order No.	Size		Installation Dim.		Outside Dim.		Clearance Width		Depth / Width		Weight kg
	A	B (V)	A1	B1	A2	B2	A3	B3	T1	T2	
27-110	200	200	203	203	252	252	193	193	13	30	1.02
27-111	300	300	303	303	352	352	293	293	13	30	1.76
27-112	400	400	403	403	452	452	393	393	13	30	2.52
27-113	450	450	453	453	502	502	443	443	13	30	3.10
27-114	500	500	503	503	552	552	493	493	13	30	3.72
27-115	600	600	603	603	652	652	593	593	13	30	5.06
27-116	600	1200	603	1203	652	1252	593	1193	13	30	9.14
27-117	800	800	803	803	852	852	793	793	13	30	7.82

coated aluminum w white (RAL9003) - 12,5mm gypsum plasterboard inlay CE certified according to DIN EN 520: H2

Order No.	Size		Installation Dim.		Outside Dim.		Clearance Width		Depth / Width		Weight kg
	A	B (V)	A1	B1	A2	B2	A3	B3	T1	T2	
27-210	200	200	203	203	252	252	193	193	13	30	1.02
27-211	300	300	303	303	352	352	293	293	13	30	1.76
27-212	400	400	403	403	452	452	393	393	13	30	2.52
27-213	450	450	453	453	502	502	443	443	13	30	3.10
27-214	500	500	503	503	552	552	493	493	13	30	3.72
27-215	600	600	603	603	652	652	593	593	13	30	5.06
27-216	600	1200	603	1203	652	1252	593	1193	13	30	9.14
27-217	800	800	803	803	852	852	793	793	13	30	7.82

All dimensions in mm, (V) = locking side